

VAST COVE LIGHT

STATIC



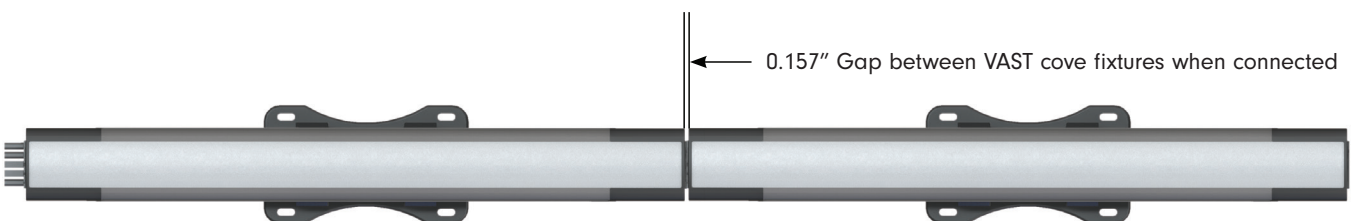
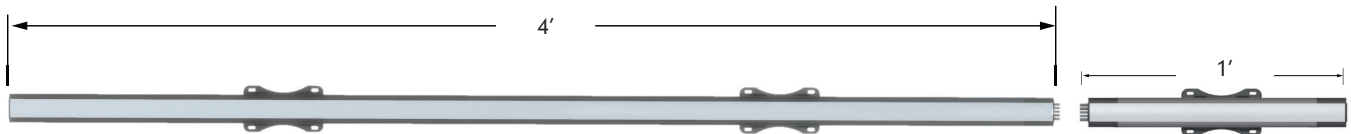
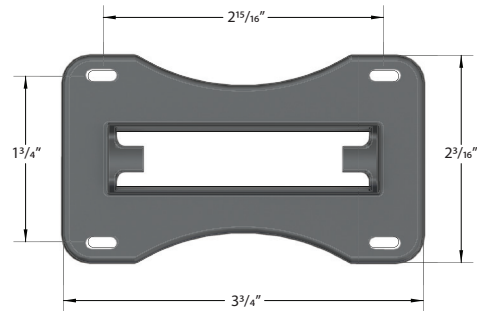
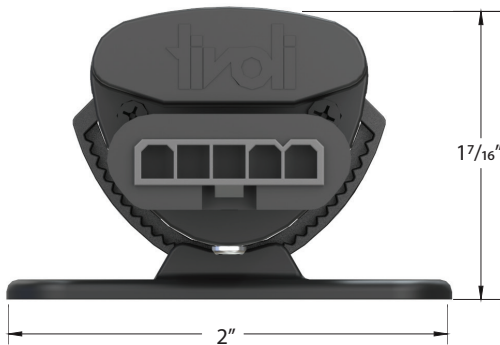


Project: _____ TYPE: _____

- An industry first, patent pending dual dimming system for both ELV and 0-10V built in
- Self Ballasted 120V AC - 277V AC
- Up to 413 lumens/ft.
- Maximum Run up to 120'
- Flexible connectors accommodate curves
- Adjustable mounting bracket for desired angle
- For Dry/Damp location
- IP52 Rating
- 5 Year warranty



Dimensions



Order Specification Guide

Patent Pending Dual Dimming Ordering Assistance



The table below will assist in ordering the correct VAST Cove Light for your application according to the dimming required

0-10V

Input	Dimming 0-10V	Order Code
120-277V	120V-277V	VAST-SB-SG-OP-XX-01-X
		VAST-SB-SG-OP-XX-02-X

ELV

Input	Dimming ELV	Order Code
120-277V	120V	VAST-SB-SG-OP-XX-01-X
	277V	VAST-SB-SG-OP-XX-02-X

PRODUCT CODE	LED TYPE	COLOR	LENS	LED COLOR	**DIMMING OPTION	LENGTH
VAST	SB	SG	OP			
VAST = VAST Static Cove Light	SB = Standard Brightness	SG = Space Gray	OP = Opal	27 = 2700K 30 = 3000K 35 = 3500K* 40 = 4000K 53 = 5300K 60 = 6000K	01 = ELV (120V AC) / 0-10V(120-277VAC) 02 = ELV (277V AC) / 0-10V(120-277VAC)	1 = 1' 4 = 4'

*Consult Factory for MOQ and Lead Time

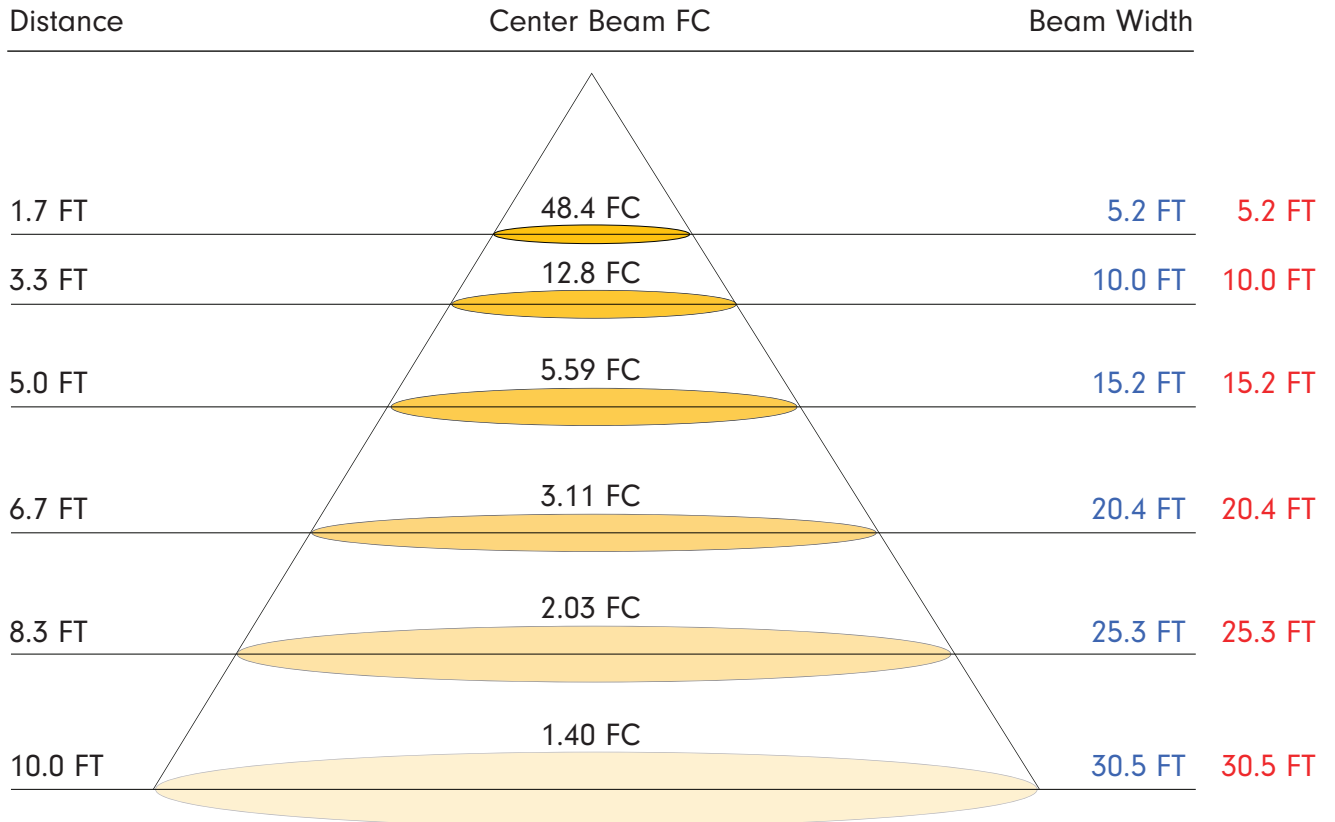
**This column helps specify correct accessories for ELV or 0-10V dimming (page 12-13)

Specifications

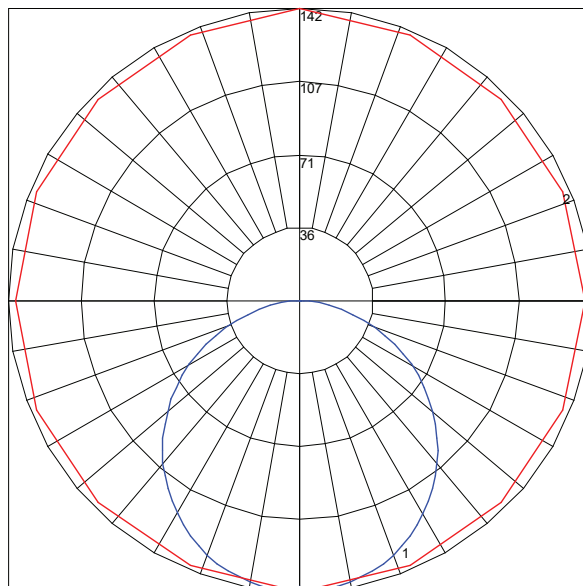


Unit Size (Output 3000K)	1'	4'
Lumens (lm/unit)	413	1580
Efficacy	78	85
Beam Angle	114	
R9	70	
CRI	94	
Electrical		
Dimming	ELV@120V AC. ELV@277V AC, 0-10V@100-277V AC	
Input Voltage	100-277V AC 50/60Hz	
Power Consumption (W/unit)	5.29	18.55
Maximum Electrical Run	120'	120'
Physical		
Mounting	Surface Mount with adjustable clip	
Operating Temperature	-4°F~149°F (-20°C~65°C)	
Storage Temperature	-13°F~158°F (-25°C~70°C)	
Certification and Testing		
Certification	ETLus, CE, RoHS	
Rated Life	90000 hrs. @ 25°C	
Environment	Dry/Damp Location	
IP Rating	IP52	
Warranty	5 Years	

Photometrics (no baffle)



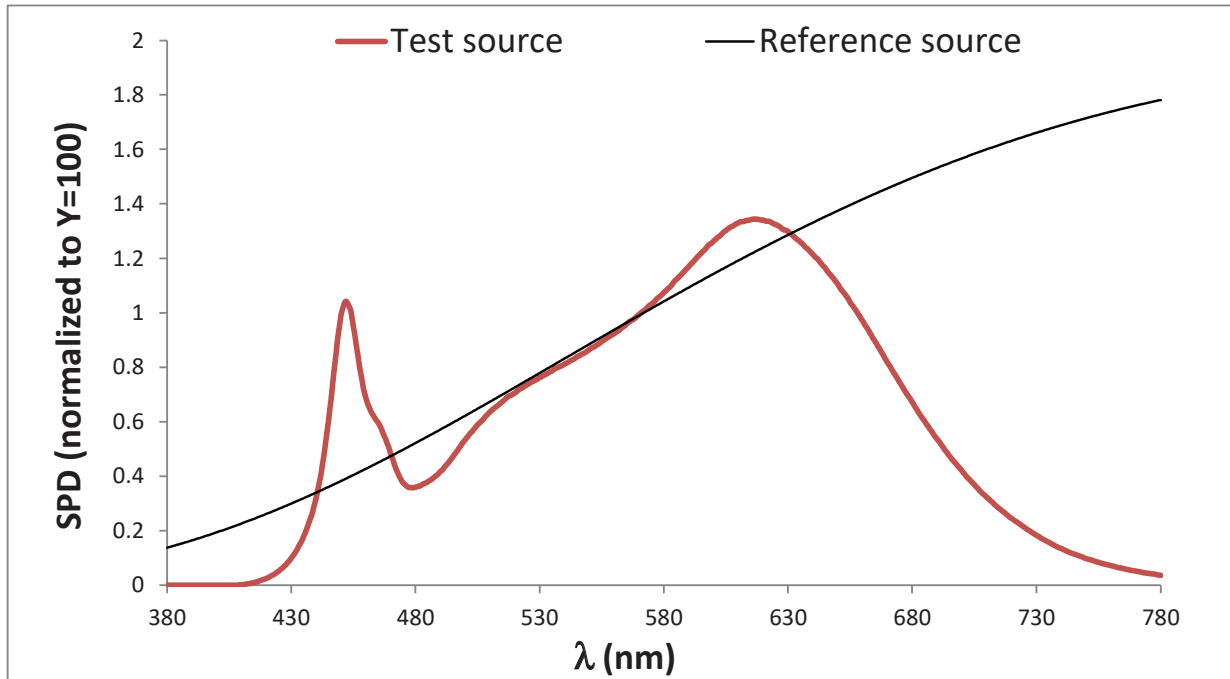
■ Horiz. Spread 112.4 °
 ■ Vert. Spread 113.4 °



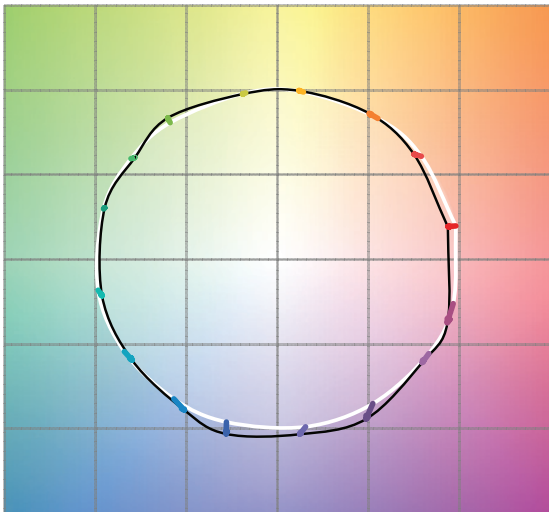
#1 Vertical Plane Through Horizontal Angles (90-270) (Through Max. Cd.)
 #2 Horizontal Cone Through Vertical Angle (2.5) (Through Max. Cd.)

TM-30 (no baffle)

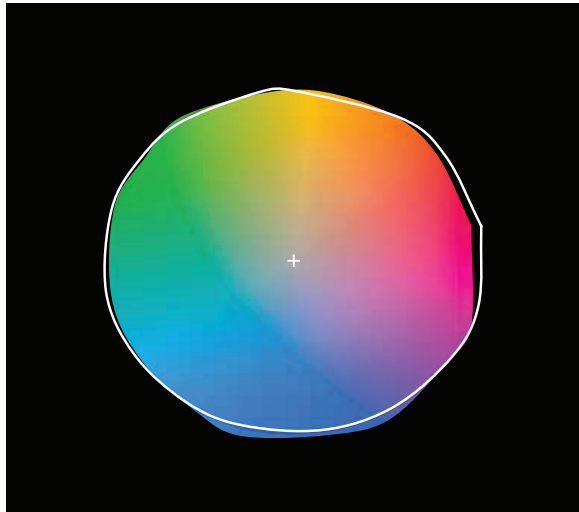
R_f	R_g	CCT (K)	D_{uv}	u'	v'
90	101	3157	-0.0053	0.2474	0.5109



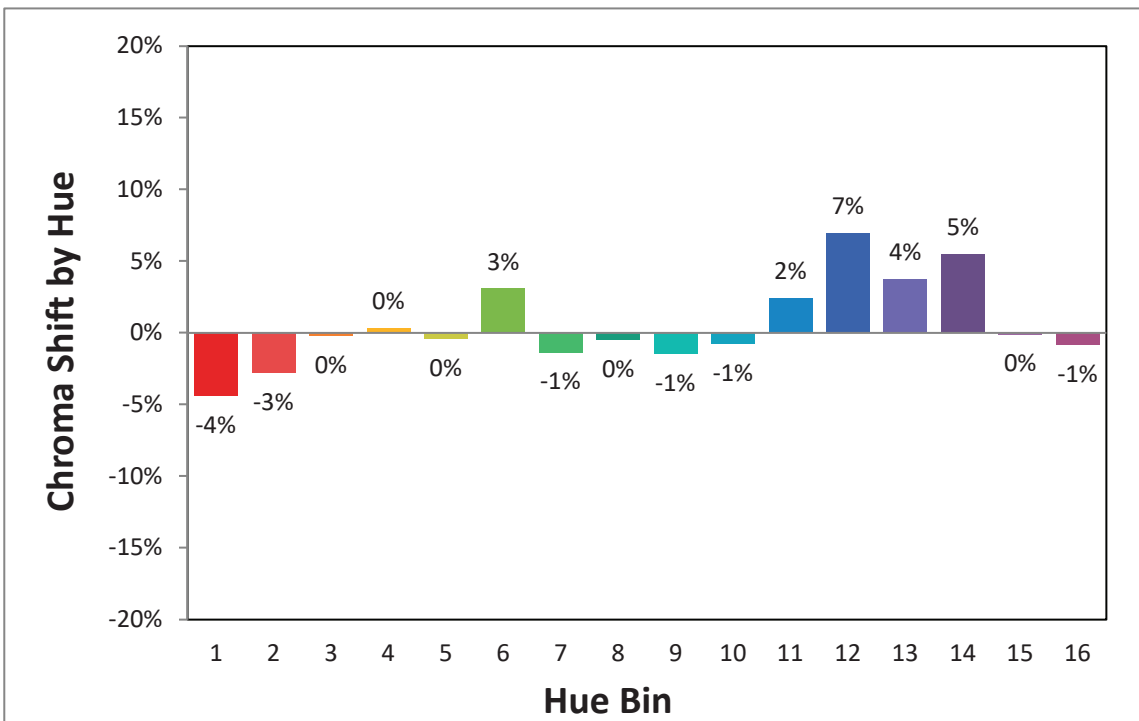
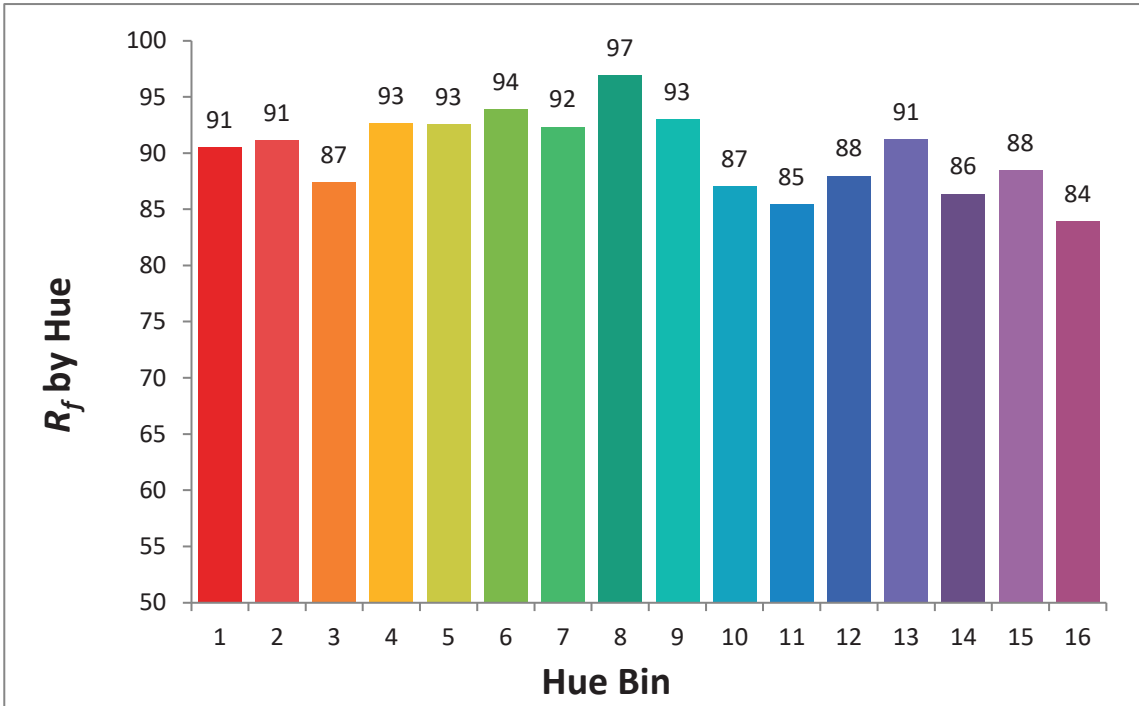
Color Vector Graphic



Color Distortion Graphic

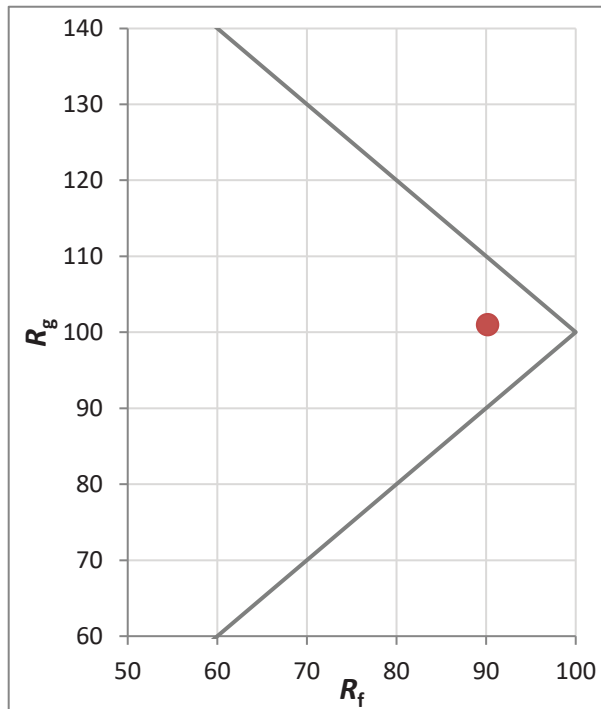


TM-30 (no baffle)

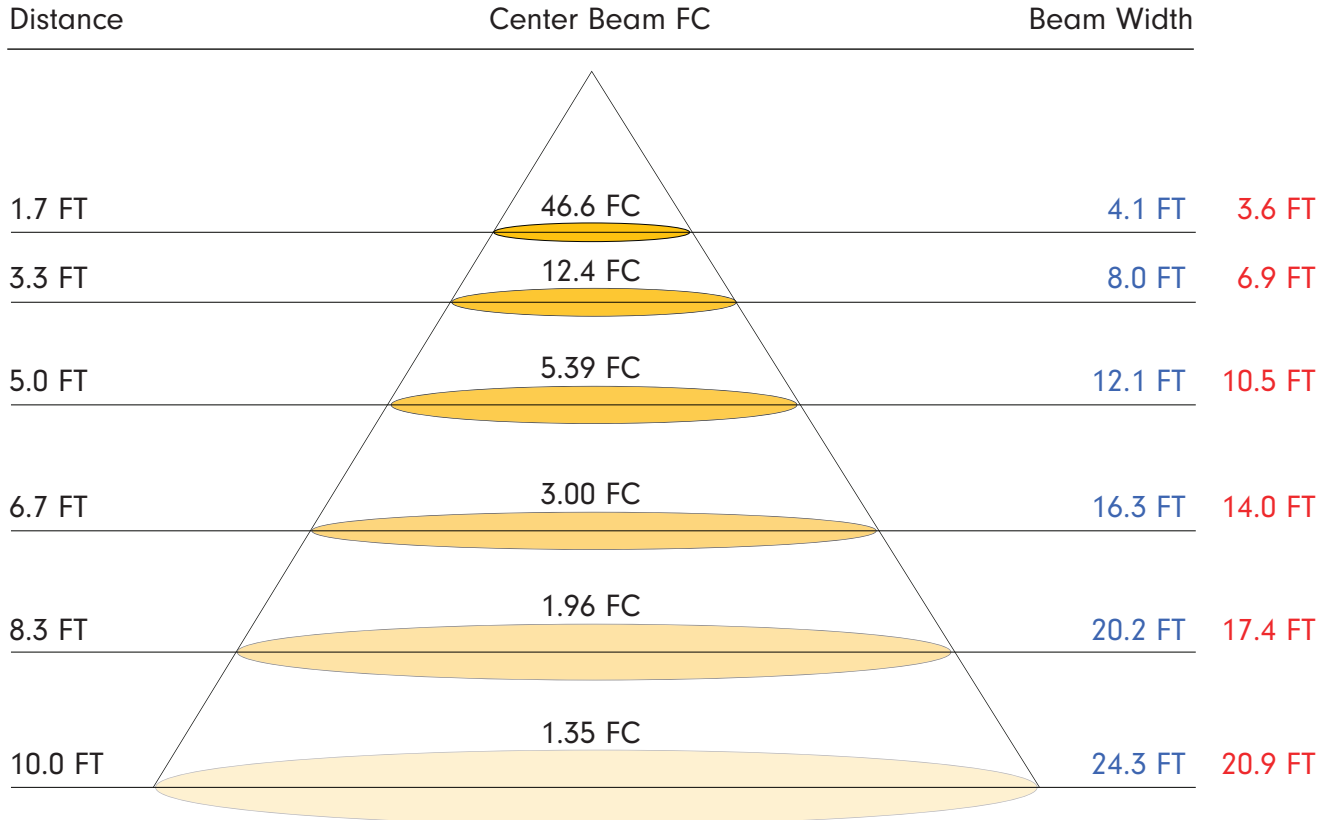


TM-30 (no baffle)

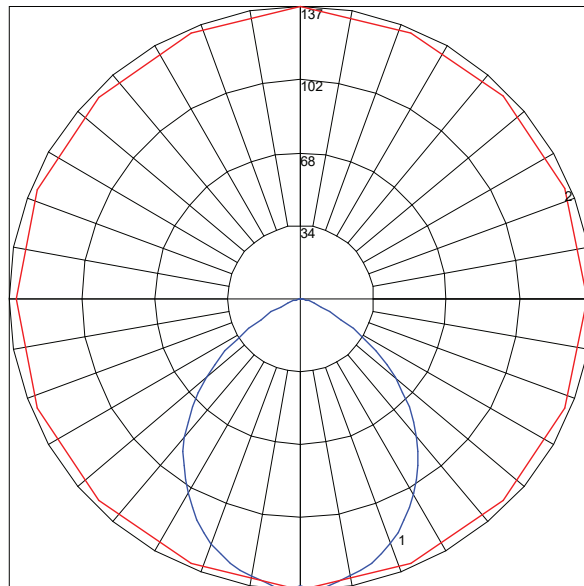
Hue Bin	R_f	Graphic Shifts (%)	
		Chroma	Hue
1	91	-4%	0%
2	91	-3%	3%
3	87	0%	6%
4	93	0%	3%
5	93	0%	2%
6	94	3%	-1%
7	92	-1%	-2%
8	97	0%	-1%
9	93	-1%	4%
10	87	-1%	7%
11	85	2%	9%
12	88	7%	1%
13	91	4%	-4%
14	86	5%	-8%
15	88	0%	-6%
16	84	-1%	-12%



Photometrics (with baffle)



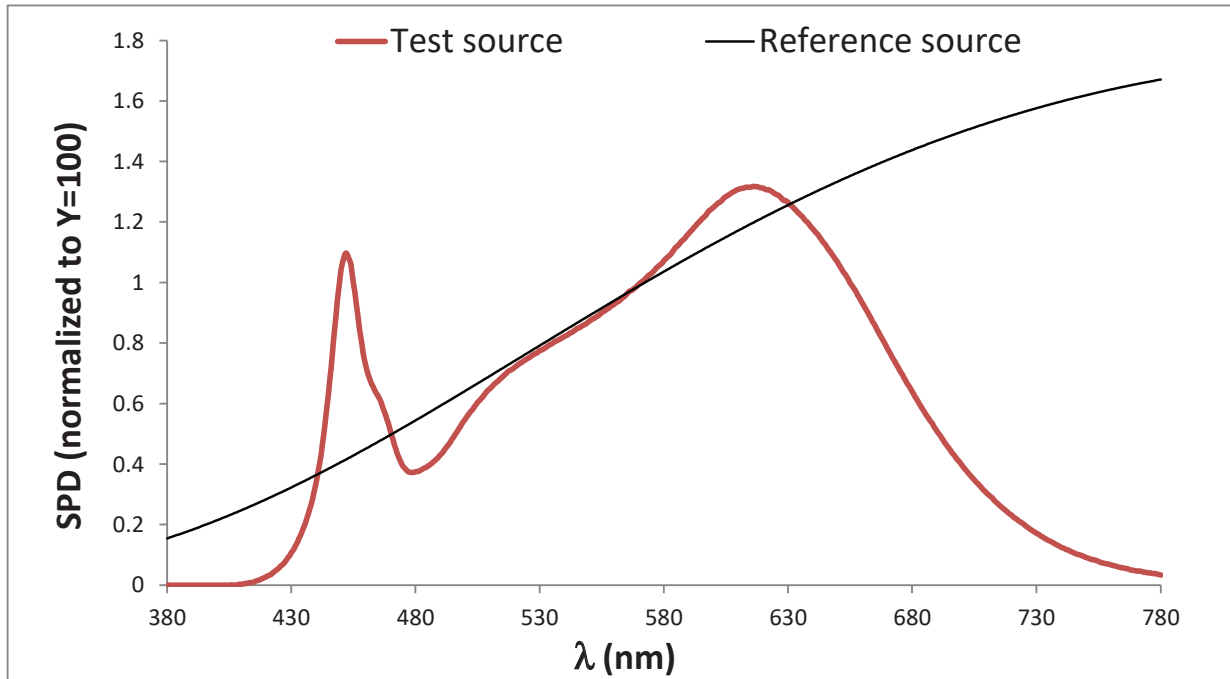
■ Horiz. Spread 112.4 °
 ■ Vert. Spread 113.4 °



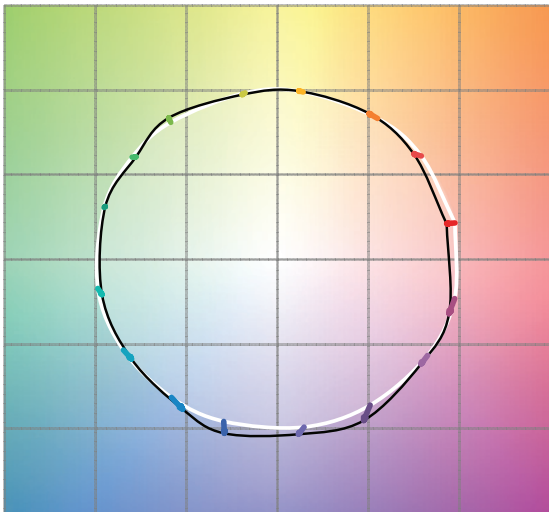
#1 Vertical Plane Through Horizontal Angles (90-270) (Through Max. Cd.)
 #2 Horizontal Cone Through Vertical Angle (2.5) (Through Max. Cd.)

TM-30 (with baffle)

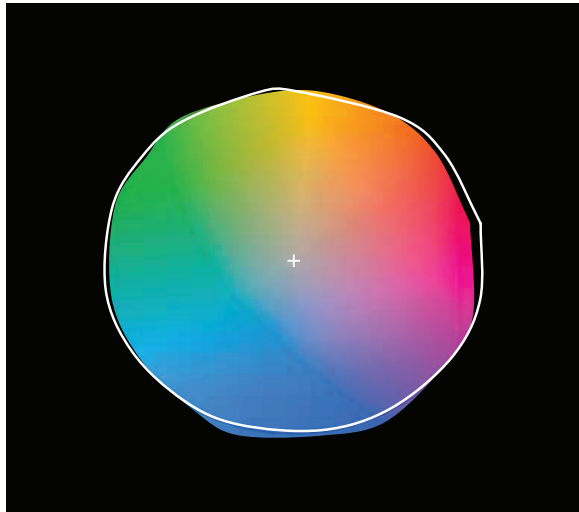
R_f	R_g	CCT (K)	D_{uv}	u'	v'
90	101	3252	-0.0054	0.2447	0.5090



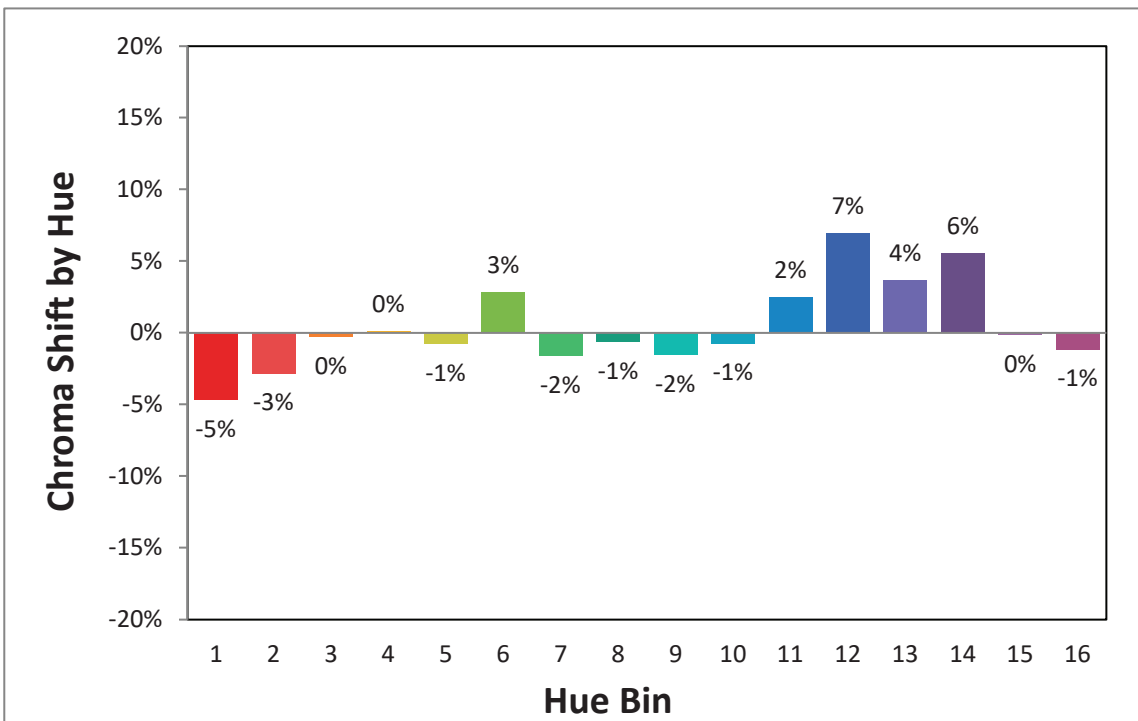
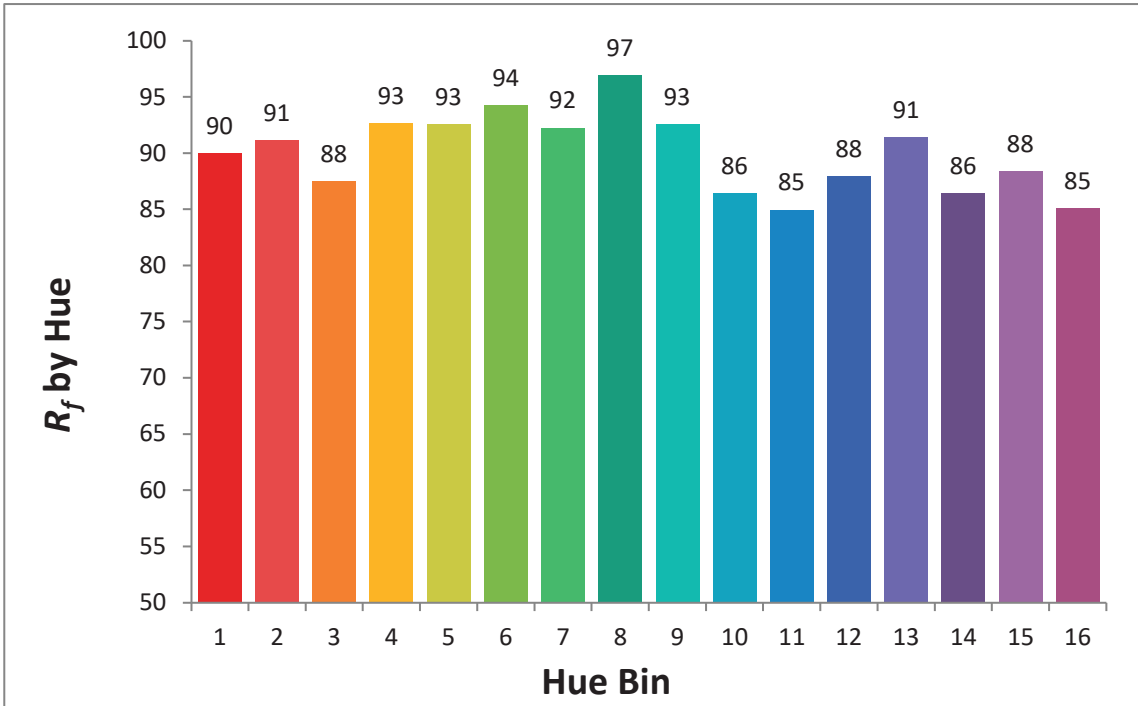
Color Vector Graphic



Color Distortion Graphic

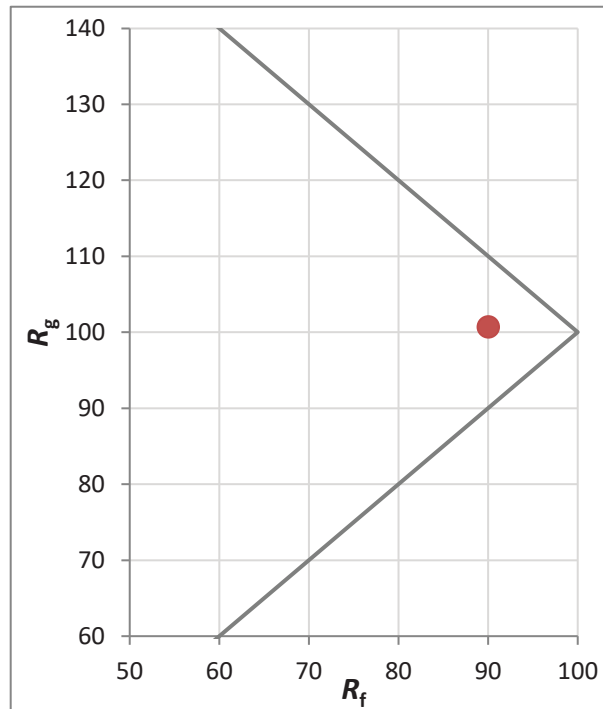


TM-30 (with baffle)



TM-30 (with baffle)

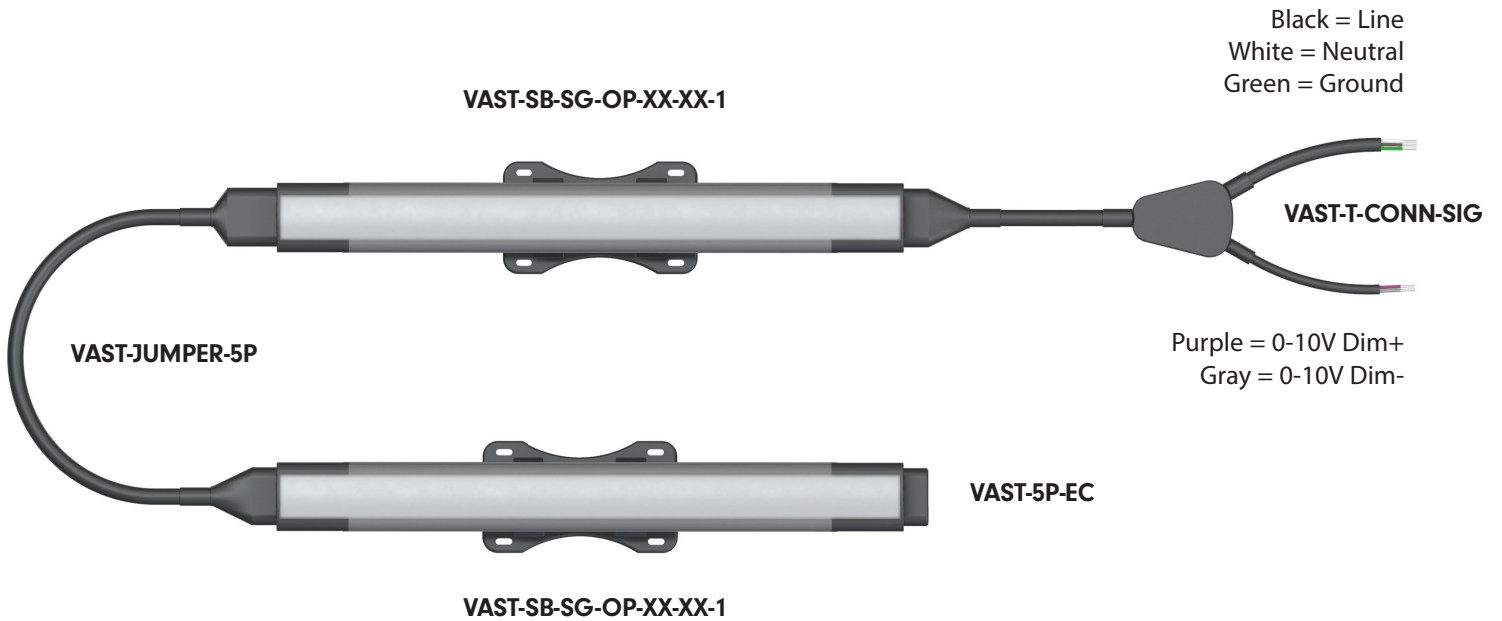
Hue Bin	R_f	Graphic Shifts (%)	
		Chroma	Hue
1	90	-5%	0%
2	91	-3%	3%
3	88	0%	6%
4	93	0%	3%
5	93	-1%	2%
6	94	3%	-1%
7	92	-2%	-1%
8	97	-1%	-1%
9	93	-2%	4%
10	86	-1%	7%
11	85	2%	9%
12	88	7%	2%
13	91	4%	-4%
14	86	6%	-8%
15	88	0%	-6%
16	85	-1%	-9%



Wiring Diagram

0-10V Dimming **Note:** Diagram for wiring purposes only and does not represent the actual physical product.

100V-277V AC universal input voltage available for 0-10V dimming



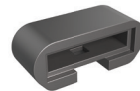
0-10V Accessories



VAST-T-CONN-SIG
T Connector Power and Signal for 0-10V, 1FT for 5PIN, 6FT for both 3PIN Bare Wire and 2PIN Signal Bare Wire



VAST-JUMPER-5P-XX
XX = 0.5 (6"), 1 (1'), 5 (5'), 10 (10')
5-Pin Jumper



VAST-5P-EC
5-Pin End Cap

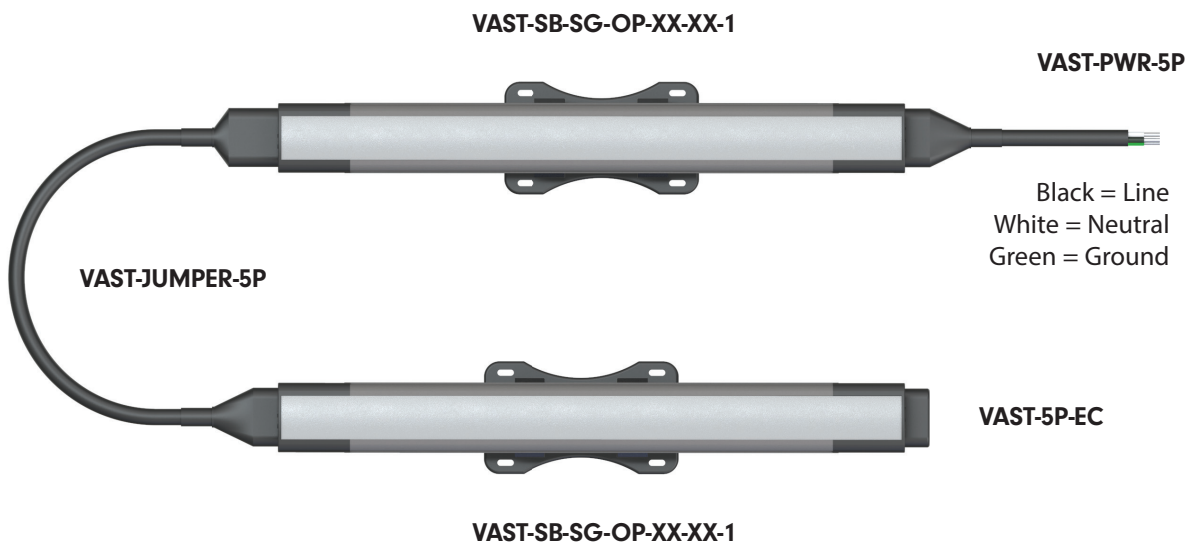


VAST-BAFL-X
X = 1 (1')
Black Vast baffle 1' length

Wiring Diagram

ELV Dimming **Note:** Diagram for wiring purposes only and does not represent the actual physical product.

120V or 277V AC input voltage available for ELV dimming - Please specify at time of ordering which is needed based on application



ELV Accessories



VAST-PWR-5P-10
10' Power Cable for ELV dimming
5-Pin Connection to hard wire



VAST-JUMPER-5P-XX
XX = 0.5 (6"), 1 (1'), 5 (5'), 10 (10')
5-Pin Jumper



VAST-5P-EC
5-Pin End Cap



VAST-BAFL-X
X = 1 (1')
Black Vast baffle 1' length

Dimming

DIMMING - 0-10V

DESCRIPTION	CAT NO	APPLICATION	INPUT VOLTAGE	OUTPUT VOLTAGE	MAX LOAD
0-10V Dimmer	DIM-LD-010	Indoor	12V/24V DC	12V/24V DC	30 mA max. output (sink only)

DIMMING - MLV

DESCRIPTION	CAT NO	APPLICATION	INPUT VOLTAGE	OUTPUT VOLTAGE	MAX LOAD
MLV Dimmer	N-600	Indoor	120V AC	120V AC	450W
	N-1000				800W
	N-1500				1200W
	D-600				450W
	M-600				450W
	M-1000				800W

DIMMING - ELV

DESCRIPTION	CAT NO	APPLICATION	INPUT VOLTAGE	OUTPUT VOLTAGE	MAX LOAD
ELV Dimmer	ME-600	Indoor	120V AC	120V AC	450W
	DE-300				300W